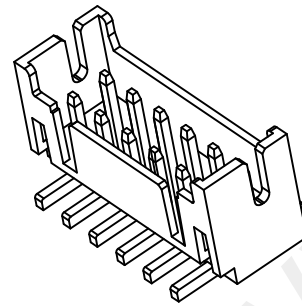
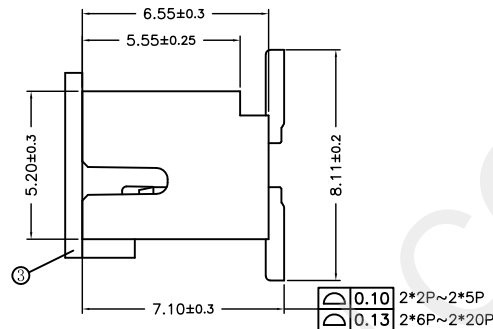
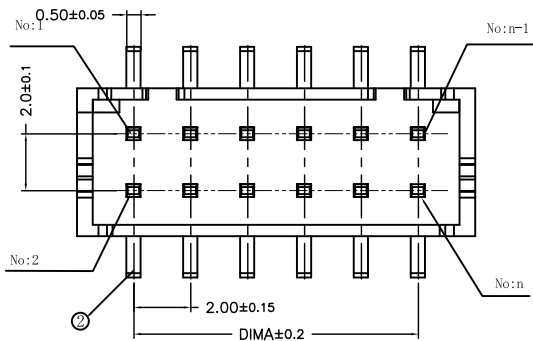
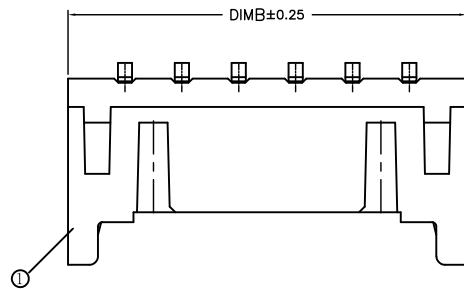


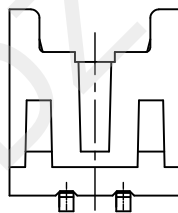
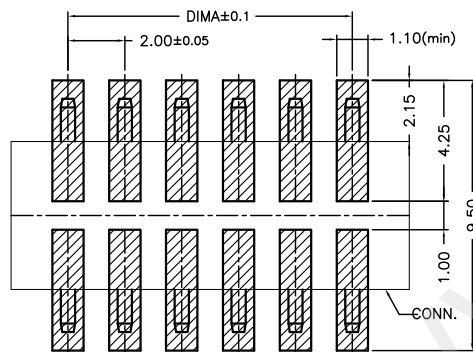
序号	品名	材质
①	PHD立贴WTB胶芯	LCP UL94V-0 米色
②	PHD立贴(连续)端子	铜合金/表面镀锡
③	PHD2.0立贴WTB吸盖	LCP UL94V-0 本色



CKT	A	B
2*2	2.0	6.0
2*3	4.0	8.0
2*4	6.0	10.0
2*5	8.0	12.0
2*6	10.0	14.0
2*7	12.0	16.0
2*8	14.0	18.0
2*9	16.0	20.0
2*10	18.0	22.0
2*11	20.0	24.0
2*12	22.0	26.0
2*13	24.0	28.0
2*14	26.0	30.0
2*15	28.0	32.0
2*16	30.0	34.0
2*18	34.0	38.0
2*20	38.0	42.0



适用线路板(厚度: 1.6mm)



2P 结构样式

技术指标(Technical Index):

1. 工作温度(Temperature range): -25° C~+85° C.
2. 适用线规(Apply to gauge): AWG#28~#22
3. 额定电压(Rated voltage): 250V DC/AC(rms).
4. 额定电流(Rated current): 3.0A AC, DC.
5. 接触电阻(Contact resistance): ≤20mΩ.
6. 耐压值(Dielectricwithstanding voltage): 800V AC/minute.
7. 绝缘电阻(Insulation resistance): ≥1000MΩ.

深圳市华宇创精密电子有限公司			
TOLERANCE: X.X ±0.30 X.XX ±0.25 X.XXX ±0.15 X.' ±2' X.X' ±0.5'	DRAWN BY : 陈一鸣	DATE : 2014-02-23	PART NAME: PHD 2.0PH 双排立贴
	CHECKED BY: 马跃	DATE : 2014-02-23	PART NO. HVC232-LF2XN-200
UNIT: mm [inch] SCALE:1:1 SIZE: A4	APPROVED BY: 邱敏	DATE : 2014-02-23	MOLD NO.
			DRAW NO: HVC-2607091641
			SHEET NO. 1 OF 1